



**Material:**

- Handle: Zinc die-cast, black texture powder coated.
- Dish: Glass fiber reinforced Polyamide (PA6GF30), black.
- Cylinder: Zinc die-cast, stainless steel (304) cap and dust shutter.
- Pivot shaft: Zinc die-cast, zinc plated.

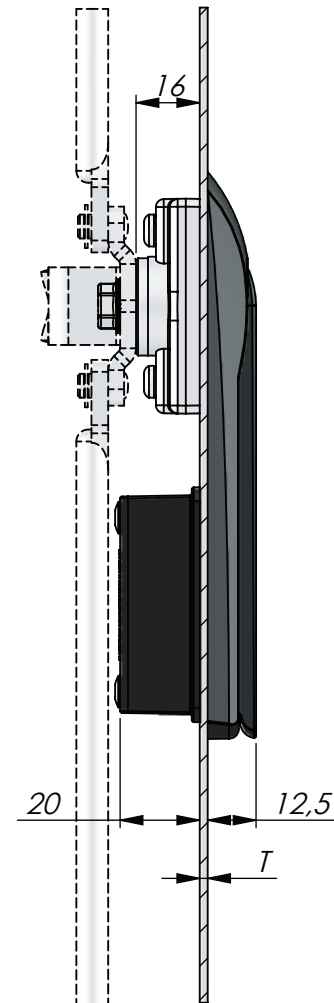
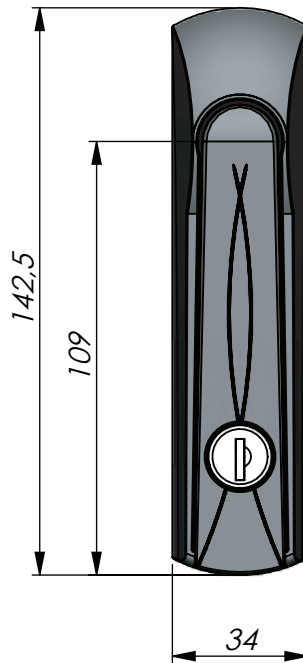
**References, Accessories:**

- Rod Latch System "Vision Classic": Page 1-008.51, 1-008.52 and 1-008.53.

**Notes, Tests:**

Cut-out, version B: Page 1-001.01.

\* Master key system on request.



Low profile compact swing handle with cylinder for cam. Supplied with two keys.

**MODEL:** Push-to-latch = Spring loaded cam latches when the handle is pushed in.

**T** = For door thickness: 0,8-3,5 mm.

**PDL** = Spring loaded padlock loop retracts when handle is released.

**VISION Compact Swing Handle with Cylinder (AAAAABCD-EEEE)**

AAAAAA	Material	B	Opening rotation	C	T=	D	PDL	-EEEE	Cylinder
141611	Handle zinc / Dish PA6	1	90° clockwise or counter-clockwise	1	0,8-1,5	0	No	-C21S	Keyed alike IL101
		2	90° counter-clockwise	2	1,6-2,5			-C22S	Keyed to differ *
		3	90° clockwise	3	2,6-3,5			-C23S	Keyed alike IL0333