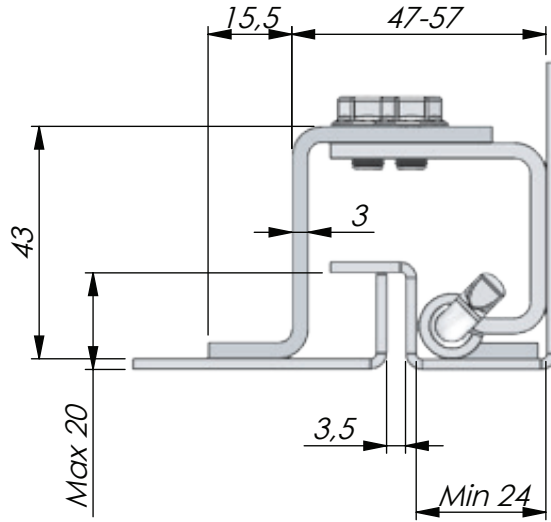


Material:

- Door-part, Z-shaped: Steel, unplated, (for welding).
- Door part, rolled: Steel, zinc plated.
- Frame part: Steel, unplated (for welding).
- Screw, nut and pin: Steel, zinc plated.



Adjustable concealed hinge for weld-on mounting. Universal left and right mounting. Opening angle 100°. Door part adjustable 10 mm horizontally.

Adjustable Concealed Hinge - 100° Opening Angle

P/N	Description
312101	Concealed hinge - steel