

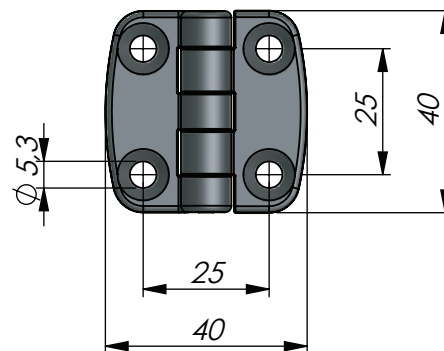
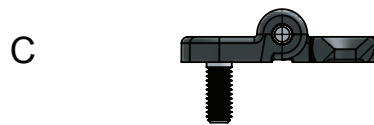
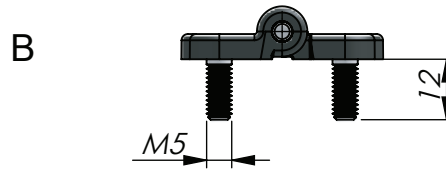
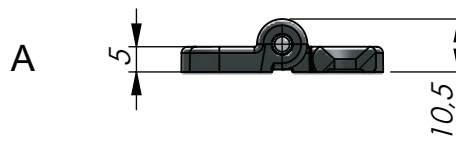


Material:

- Hinge parts: Zinc die-cast, black texture powder coated.
- Hinge pin and bolts: Stainless steel (303).
- Nut and locking washer: Steel, zinc plated.

References, Accessories:

- P/N: 022138: Nut for M5.
- P/N: 032155-5, Serrated washer for M5.
- Stainless hinge version: Page 6-385.



Hinge with cast-in bolts and / or countersunk holes. Universal left and right mounting. Opening angle 180°. Nuts or washers are not supplied with the hinge, but may be ordered separately (see part numbers under "References, Accessories" on this page).

External Hinge 40 x 40 mm - 180° Opening Angle

P/N black	Holes	Bolts	Drawing
3216-600404-30	4 x Ø 5,3	-	A
3216-610404-30	-	4 x M5	B
3216-620404-30	2 x Ø 5,3	2 x M5	C