

**Material:**

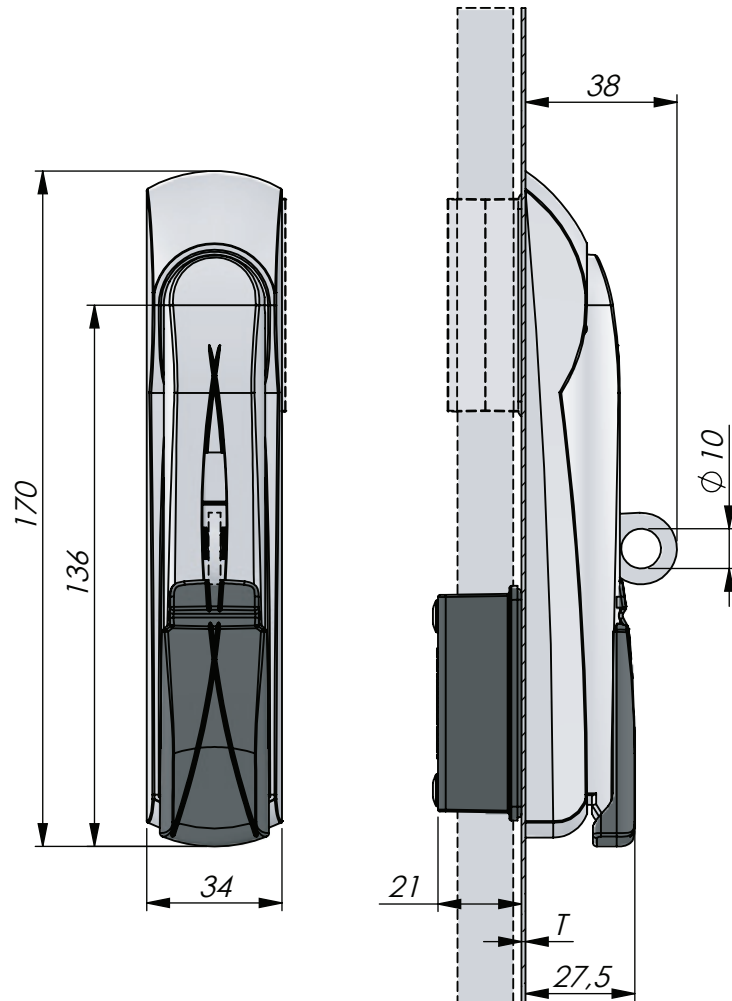
- Acid-proof stainless steel (316).

**References, Accessories:**

- Zinc and polyamide versions: Chapter 1.
- Profile cylinders: Page 1-210.
- Keys: Page 2-370 and 2-372.
- Rod Latch Systems: Page 1-008.00 to 1-008.57.
- Vision Hinge: Page 3-094, 3-095 and 3-096.

**Notes, Tests:**

Cut-out, version C: Page 1-001.01.



Acid-proof stainless low profile swing handle for 40 mm profile cylinder / tool operated and control mechanism.

**MODEL:** Turn-to-latch = The door is locked by turning the key.

**T** = For door thickness: 1,6-3,5 mm.

**PDL** = Spring loaded padlock loop retracts when handle is released.

**VISION Swing Handle for Profile Cylinder / Tool operated - Acid-Proof (AAAAAABC-DDDD)**

AAAAAAA	Description - material	B	T=	C	PDL	-DDD	Insert / cylinder	D	Dust cover
1230318	SS (316)	2	1,6-2,5	0	No	-C01	Hexagon 11	U	No
		3	2,6-3,5	1	Yes	-C47	Recessed hexagon 8 / 3 mm pin	D	Yes
						-C49	Recessed slot		
						-C60	Profile cylinder		