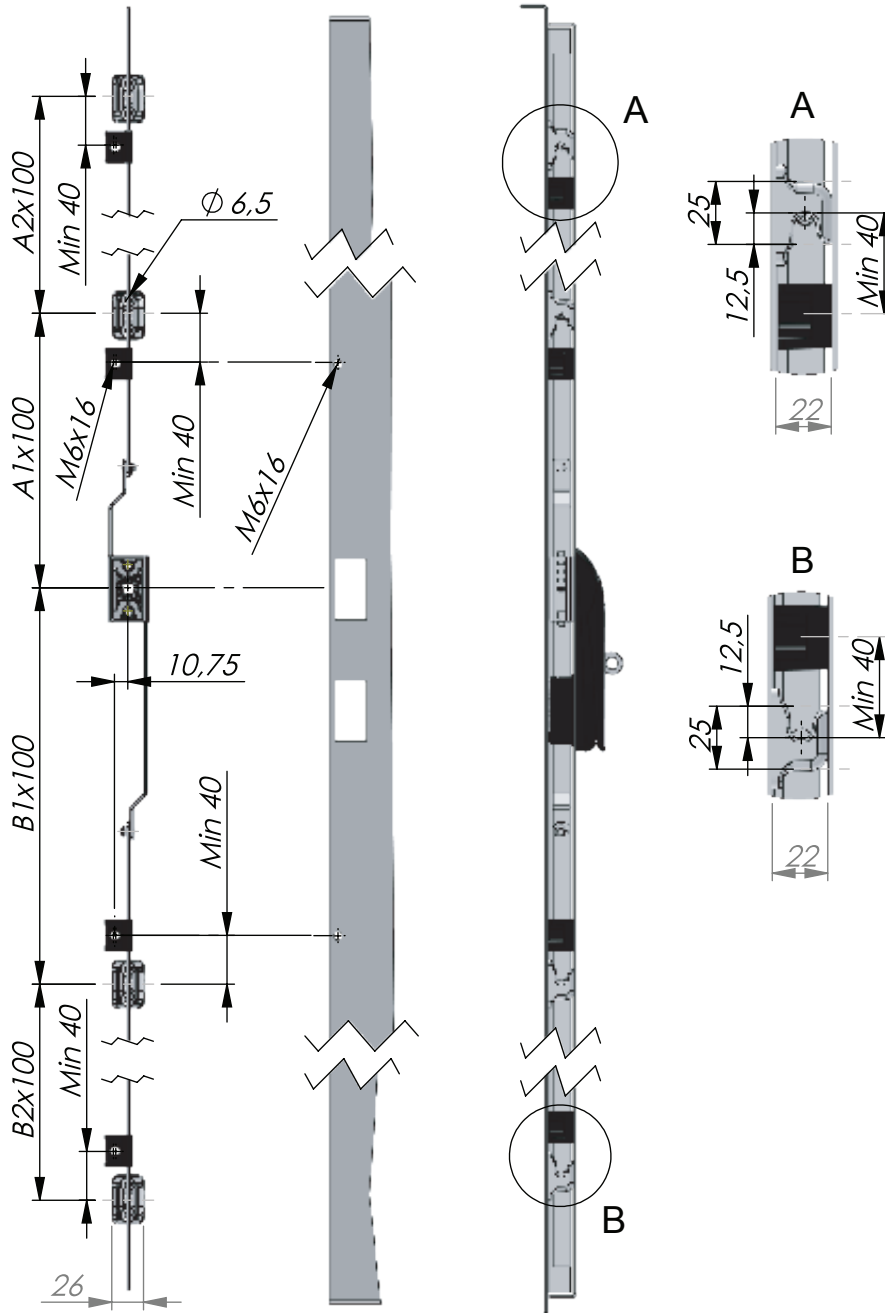
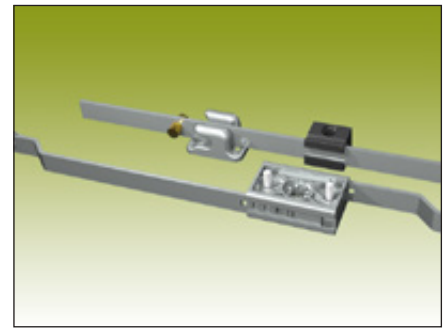
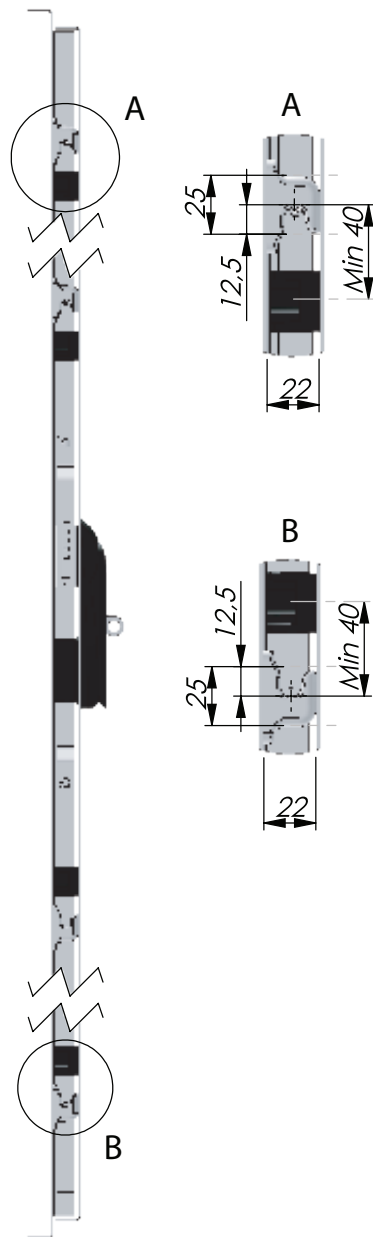




Fixing pattern for the door



- 1
Rod Latch
- 2
Latches
- 3
Hinges
- 4
Sealing profiles
- 5
Miscellaneous
- 6
Stainless steel



Material:

- Control mechanism and catch: Zinc die cast, zinc plated, special surface treatment "Highlander" * or glass fiber reinforced polyamide (PA6GF30).
- Rod guide: Polyamide (PA6GF30), black, or zinc, zinc plated or with special surface treatment "Highlander" *.
- Rod: Steel, zinc plated or stainless steel (304).

References, Accessories:

- Handles: Page 1-002.01, 1-002.02, 1-002.03, 1-002.08, 1-006.01 and 1-006.03.

The system is mounted outside the sealing area. When the swing handle is turned to close, the upper flat rod is moving upwards and the lower rod downwards. The rod is customized with the latching points A1/A2 and B1/B2 specified according to your application.

VISION Classic Outside - Dual Action Control Mechanism - Flat Rod and Rod Guide

P/N Standard	P/N Highlander	P/N Polyamide	Description
1303-00A1A2B1B2	1303-01A1A2B1B2	1353-00A1A2B1B2	Control mechanism with flat rodsRod connection points with E-clip.
1304-00A1A2B1B2	1304-01A1A2B1B2	1354-00A1A2B1B2	Control mechanism with flat rodsRod connection points with Quick-Fit.
13110201	13140201	-	Catch
285025	285025	285025	Rod guide, PA6
281125	281425	-	Rod guide, zinc