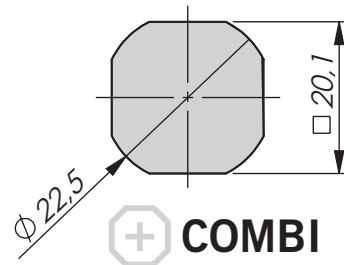
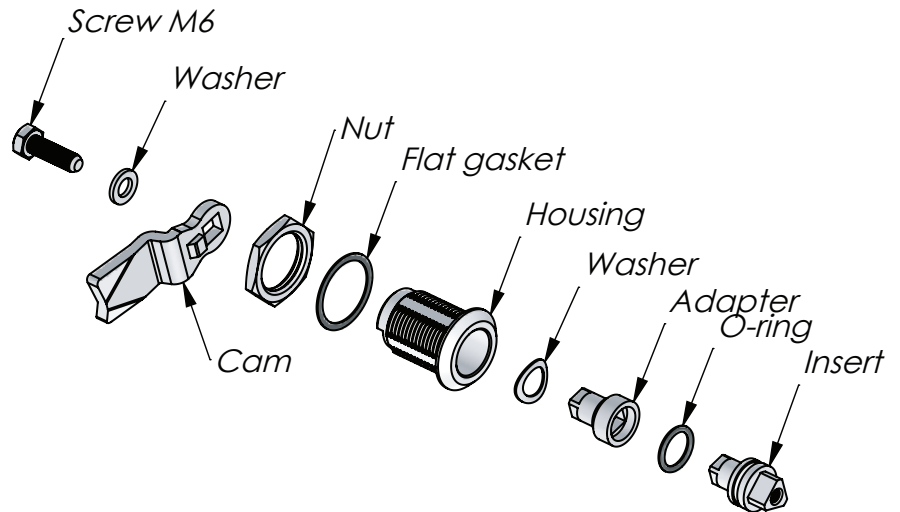


**Material:**

- Housing: Zinc die-cast, chrome plated or black texture powder coated.
- Standard and Earthing nut and adapter: Zinc die-cast, zinc plated.
- Insert: Zinc die-cast, chrome plated or black texture powder coated.
- Cam, screw and washer: Steel, zinc plated.



A complete latch consists of housing, nut, insert, washer, screw and cam. Protection degree IP65 is achieved by an O-ring on the insert and a flat gasket on the housing. The latch can be supplied un-assembled, pre-assembled with enclosed cam or completely assembled.

**References, Accessories:**

- Housings: Page 2-051.
- Inserts: Page 2-052.
- Knobs and handles: Page 2-360.
- \* Cams: Page 2-480, 2-490, 2-510 and 2-520.
- Keys: Page 2-370 and 2-372.

**Notes, Tests:**

Nuts: SN = Standard nut. EN = Earthing nut.

Example: Housing - chrome plated A=28 B=4, zinc nut, insert square 8 - chrome plated, IP65-assembled, cam - zinc plated H=22 mm L=45 mm = P/N 2362-005250-2245. Protection degree IP65 is achieved by an O-ring on the insert and a gasket on the housing.

**Quarter-Turn Latch - 30 mm (AAAA-BCCDEF-GGGG)**

AAAA-	Housing	B	Nut	CC	Insert	D	Surface	E	Assembly	F	Cam	-GGGG	H in mm
2362-	Zinc - chrome plated A=28 B=4 C=30	0	SN	01	Square 6	2	Chrome	0	IP54 - not assembled	0	Steel	-0000	No cam
2366-	Zinc - black coated A=28 B=4 C=30	1	EN	03	Square 7	6	Black	1	IP65 - not assembled			-HHLL*	See page ref. above
2372-	Zinc, chrome plated A=32 B=6 C=30			05	Square 8			2	IP54 - enclosed cam				
2376-	Zinc, black coated A=32 B=6 C=30			07	Square 8 - slotted			3	IP65 - enclosed cam				
				08	Square 8 / M6			4	IP54 -assembled				
				11	Recessed square 8			5	IP65 -assembled				
				14	Triangle 7								
				15	Triangle 8								
				16	Triangle 10								
				17	Triangle 10 / M5								
				18	Triangle 10 / M6								
				19	Triangle 10 / SEN								
				21	Triangle 10 - radius (ES3)								
				22	Double Bit 3								
				24	Double Bit 5								
				26	Slotted								
				28	Slotted recessed								
				29	3 mm slotted recessed								
				31	Hexagon 8,5								
				32	Hexagon 11								
				34	Recessed hexagon 8								
				35	Recessed hexagon 10								
				36	Recessed hex 8 / 3 mm pin								
				37	Solid (plug)								
				39	Triangle 10 - radius								